



• ED5015 Series.

**DC Brushless fan.**  
**Size: 50 x 50 x 15 mm**  
**2 x 0.6 Inches.**  
**Airflow: Max. 24 CFM / 0.7 m3/min**  
**Plastic Impeller / Plastic Frame.**

Model No.	Rated Voltage	Voltage Range	Input Power	Rated Current	Ref Speed	Max. Airflow		Max. Static Pressure		Noise Level	PQ Curves
	VDC	VDC	Watt	Amp	RPM	CFM	m3/min	Inch/H2O	mm/H2O	dB (A)	
ED5015-12SHH**	12	7~13.2	3.6	0.3	8000	24	0.7	0.4	10.16	42	1
ED5015-12SH**	12	7~13.2	3	0.25	7000	21	0.6	0.31	7.87	39	2
ED5015-12HHH**	12	7~13.2	2.4	0.2	6000	18	0.5	0.23	5.84	36	3
ED5015-24SHH**	24	14~26.4	3.6	0.15	8000	24	0.7	0.4	10.16	42	1
ED5015-24SH**	24	14~26.4	2.4	0.1	7000	21	0.6	0.31	7.87	39	2
ED5015-24HHH**	24	14~26.4	1.9	0.08	6000	18	0.5	0.23	5.84	36	3

\*\* = "BL" for wire lead type Ball bearing Type.

•We reserve the right to change data and improve electrical & mechanical design without notice. data tolerance +10%

**Motor**

Motor Type: Brushless DC Motor, auto cutoff, auto restart optional only  
 Burnout Protection: Electronically protected, polarity protected  
 IP Protection: Ratings on request

**Mechanical**

Frame: Glass fiber reinforced thermoplastic, rated UL94V-0  
 Impeller: 7 blades, glass fiber reinforced plastic, rated UL94V-0  
 Bearing: Two ball bearings  
 Rotation: CCW seen on rotor  
 Connection: Wire lead  
 Weight: 27g (0.06 Lbs)

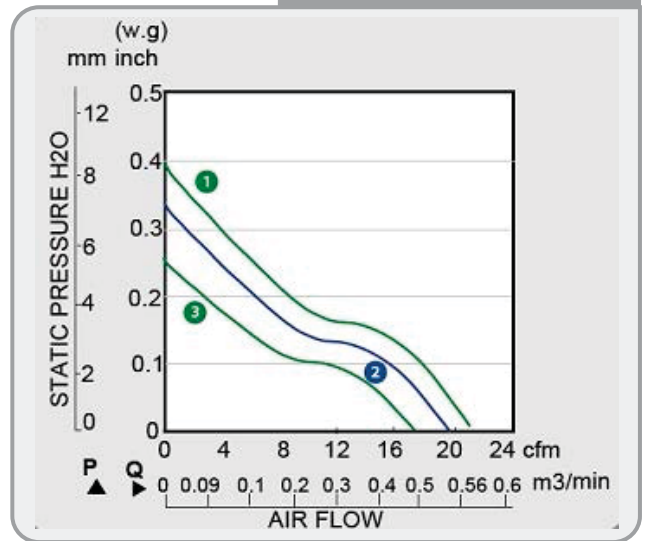
**Electrical**

Dielectric Strength: 500 VAC/min. Max leakage 500mA  
 Speed Control: Optional: PWM, S/C NTC thermister on request  
 Signal Output: Optional: R/D alarm output, tachometer output F/G

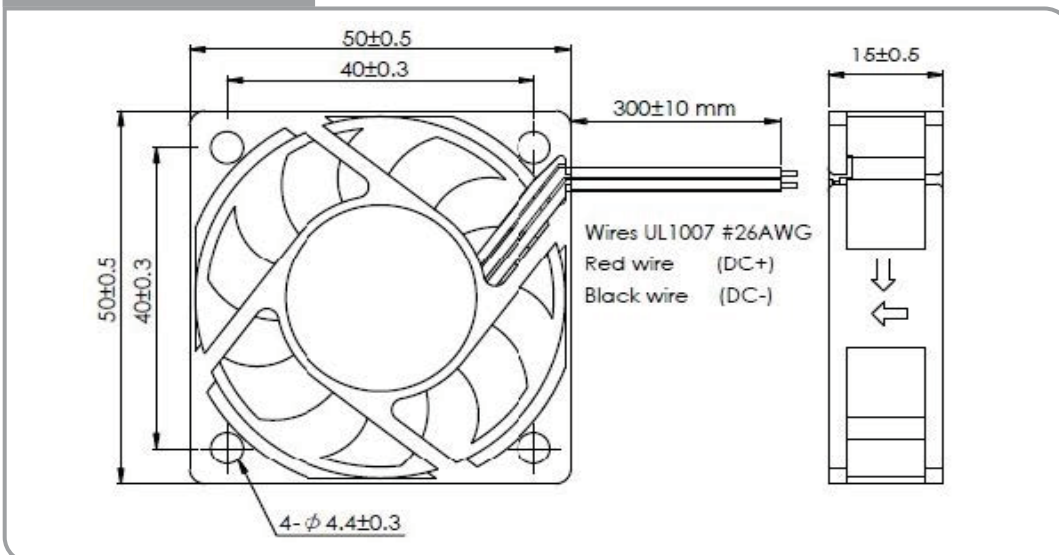
**Environment**

Operating Temp: Ambient non-condensing -15°C~+65°C  
 Storage Temp: -25°C~+80°C (at 65%RH)  
 Life Expectancy: L10 55K hours at 45°C, 40K hours at 60°C

► Performance P-Q Curves.



► Outline Dimensions.



Fan Accessories



Metal Fan Guards